

4

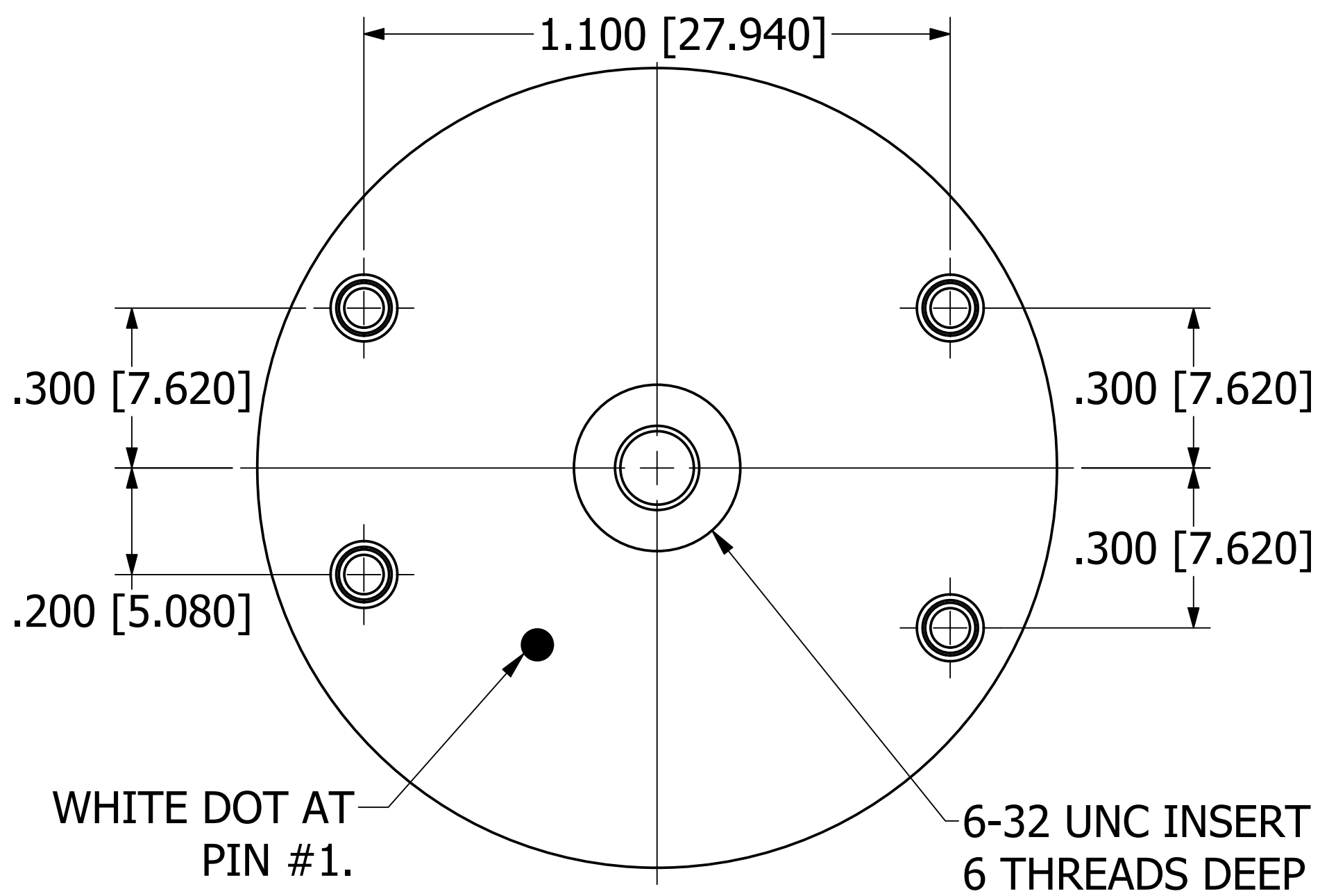
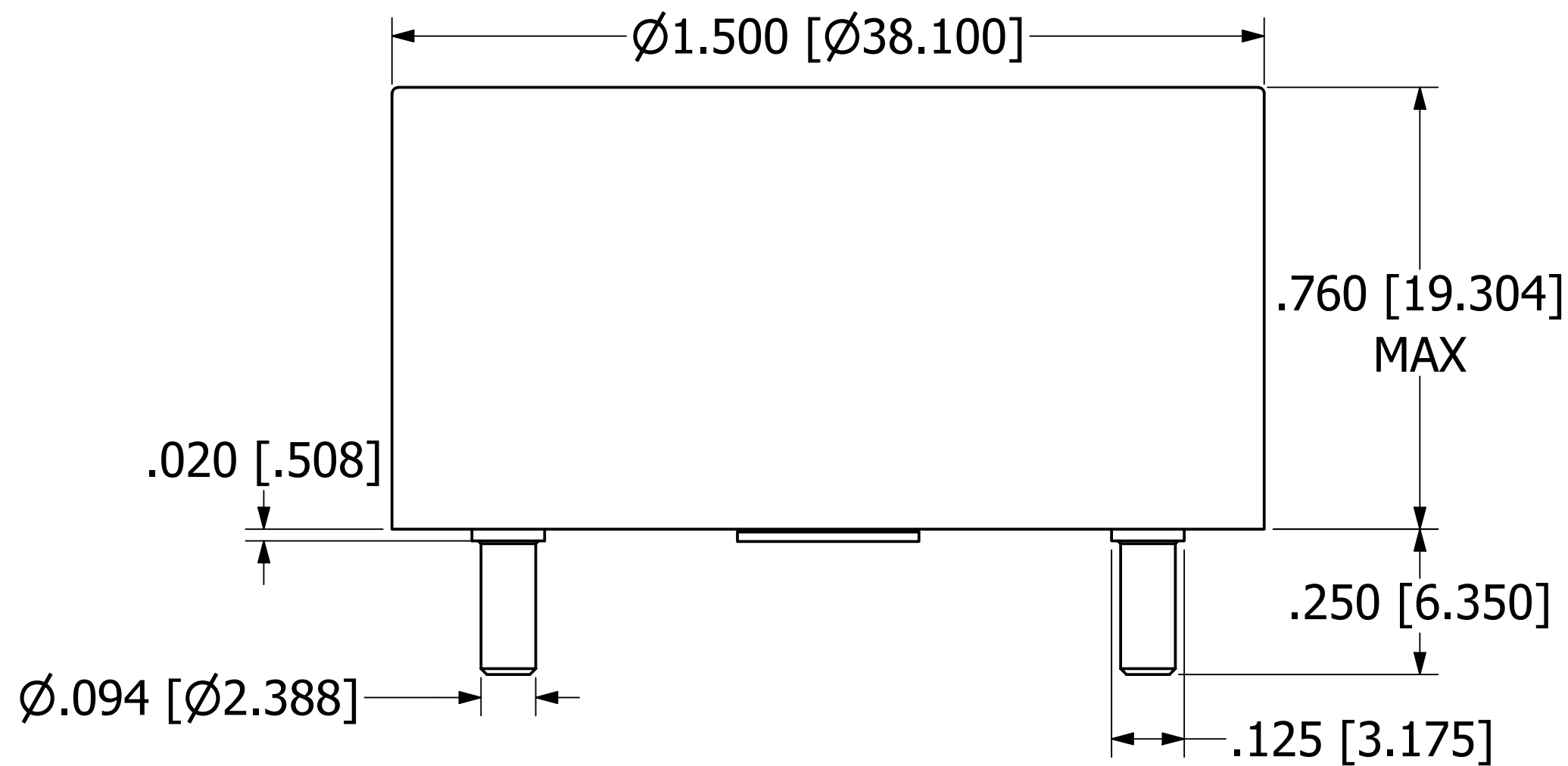
3

2

1

**NOTES**

- a. ALL DIMENSIONS ARE IN INCHES, [ ] = MM
- b. TERMINALS ARE CLOCKWISE FROM PIN #1



**BOTTOM VIEW**

WHITE DOT AT PIN #1.

6-32 UNC INSERT  
6 THREADS DEEP  
 $\varnothing .312$ "

**PROPRIETARY AND CONFIDENTIAL**  
 THE INFORMATION CONTAINED IN THIS DRAWING IS THE SOLE PROPERTY OF PICO ELECTRONICS INC. ANY REPRODUCTION IN PART OR AS A WHOLE WITHOUT THE WRITTEN PERMISSION OF PICO ELECTRONICS INC. IS PROHIBITED



|               |             |                              |   |                         |
|---------------|-------------|------------------------------|---|-------------------------|
| DRAWN         | P.PALUCH    | <b>PICO</b><br>Electronics   | 143 Sparks Ave<br>Village of Pelham, NY 10803 |                         |
| CHECKED       | H. VIDAURRE |                              |   |                         |
| QA            |             | <b>69000 SERIES - SIZE D</b> |   |                         |
| MFG           |             | SIZE                         | DWG NO  | REV                     |
| APPROVED      |             | C                            |   | 1                       |
| REVISION DATE | 06/06/2023  | SCALE                        | NTS   | www.picoelectronics.com |

4

3

2

1

D

C

B

A

D

C

B

A